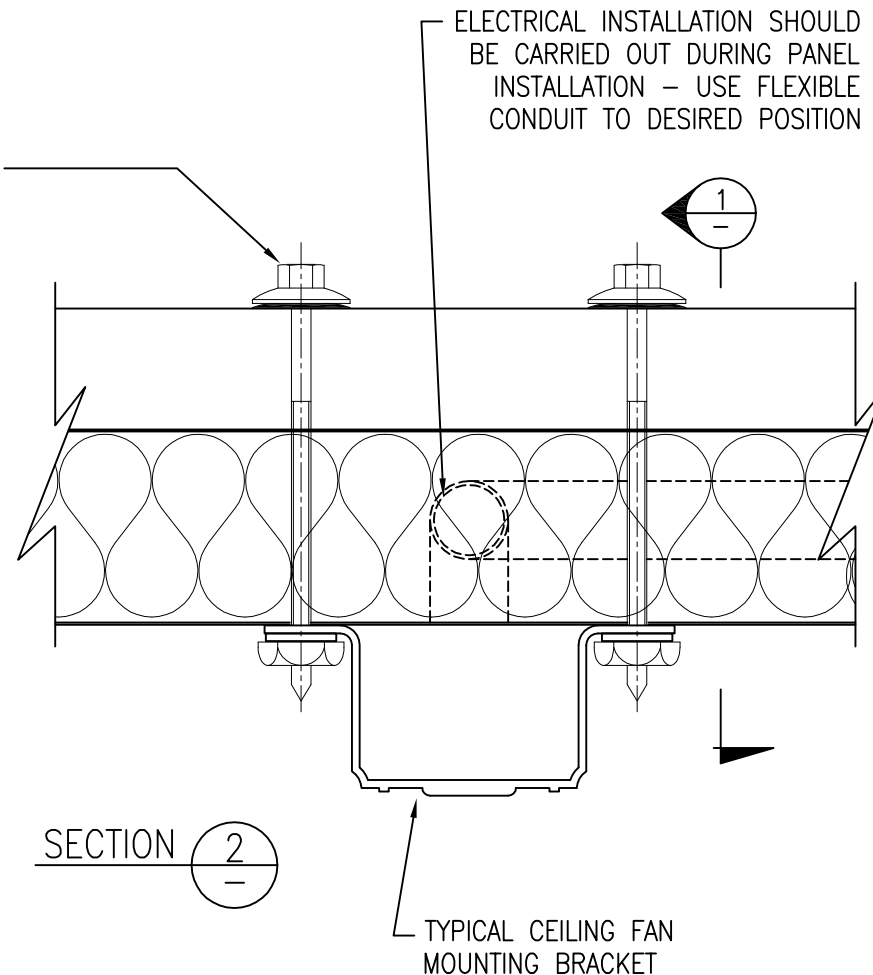


SECTION 1  
CREST FIXING

NOTE: PAN FIXING IS NOT RECOMMENDED AS IT MAY COMPROMISE ROOF INTEGRITY

ALL ELECTRICAL WORK TO BE CARRIED OUT BY A LICENSED ELECTRICIAN TO A.S. 3018



SECTION 2  
TYPICAL CEILING FAN MOUNTING BRACKET

**BONDOR**<sup>®</sup>

Metecno Pty Limited trading as Bondor

www.bondor.com.au

1300 300 099

ABN 44 096 402 934

				Drawn by	TB	Date	
				Checked by		Date	
				Approved by		Date	
				Scale			
				This drawing is copyright and the property of Metecno Pty Limited trading as Bondor. It is subject to their recall and may not be reproduced or its contents divulged without written authority.			
1	04.10.13	NEW BRACKET	CW				
0	08.12.11	ORIGINAL	TB				
Revision	Date	Description	By	Check	DIMENSIONS ARE IN MM - DO NOT SCALE		

FAN BRACKET SECTION DETAIL

A4

SOLARSPAN<sup>®</sup> ROOF



BONDOR

Dwg No  
SOL09-FB01

Revision  
1