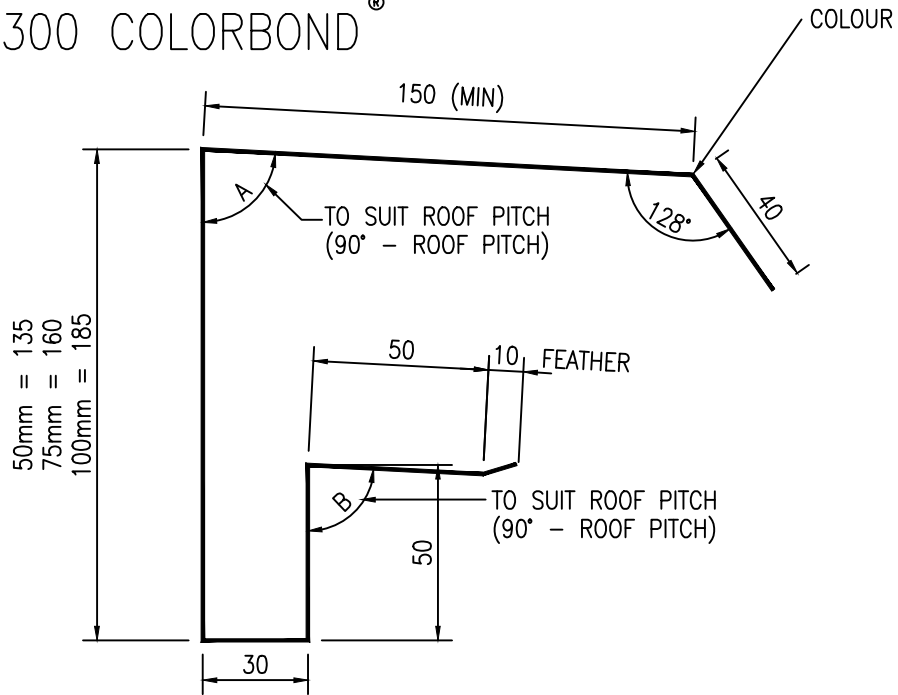
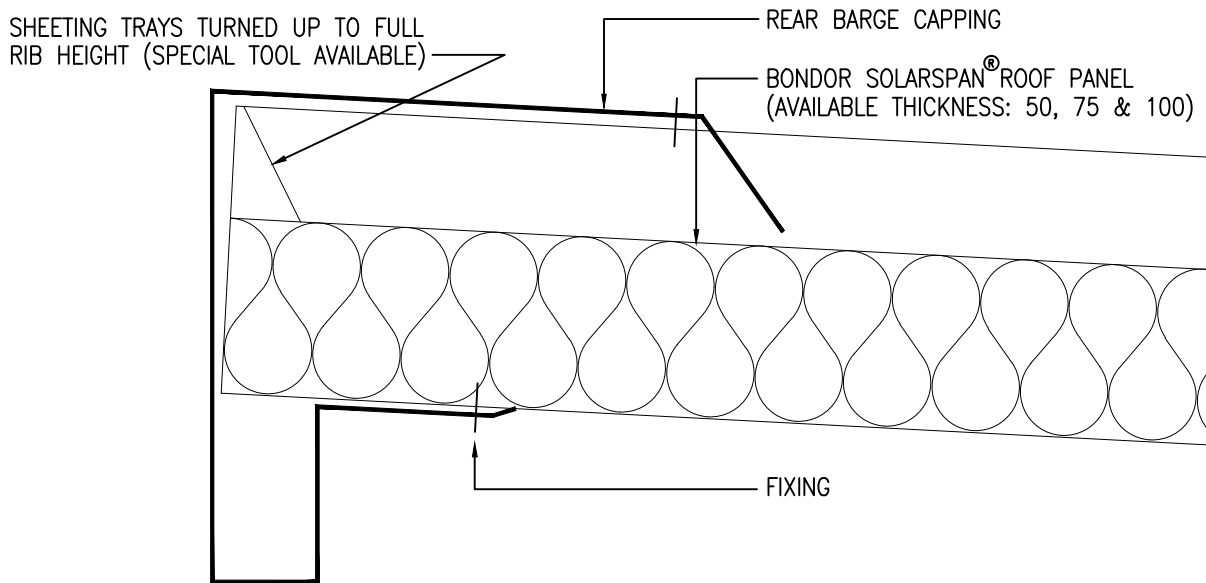


MATERIAL:  
0.6mm G300 COLORBOND®



SOLARSPAN® REAR BARGE



REAR BARGE APPLICATION DETAIL (VALID UP TO 7° ROOF PITCH)

				Drawn by	TB	Date
				Checked by		Date
				Approved by		Date
				Scale		
				This drawing is copyright and the property of Metecno Pty Limited trading as Bondor. It is subject to their recall and may not be reproduced or its contents divulged without written authority.		
0	08.12.11	ORIGINAL		TB		
Revision	Date	Description	By	Check	DIMENSIONS ARE IN MM - DO NOT SCALE	

 Metecno Pty Limited trading as Bondor www.bondor.com.au <b>1300 300 099</b> <small>ABN 44 096 402 934</small>	REAR BARGE DETAILS	A4
	SOLARSPAN PATIO ROOF	
	BONDOR	Dwg No <b>SOL09-FL03</b> Revision <b>0</b>

REFER TO SOLARSPAN WEBSITE [www.solarspan.com.au](http://www.solarspan.com.au) FOR LATEST VERSION OF THIS DRAWING.